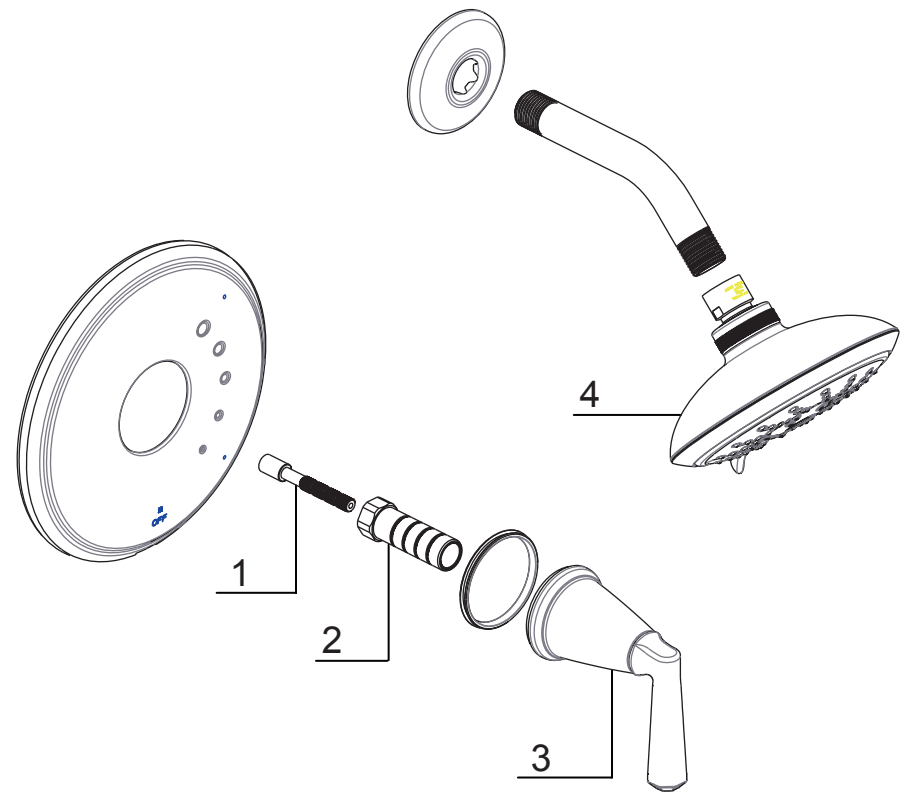


Replacement Parts / Pièces de rechange / Repuestos

NO.	Description	Part No.
1	Pressure Balance Stem Extension	5P0C0582NT
2	Threaded Nipple Extension	5T1C0319NT
3	Handle Assembly	9Q225900CP
4	Head Shower	5F0001300CP0A0



UF79600-1  
UF79603-1  
UF79605-1

# Traditional II

Shower Only Trim

UF79600-1  
UF79603-1  
UF79605-1

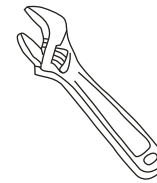


## Installation/Installation/Instalación

**CUSTOMER SERVICE**  
**TOLL-FREE 1-888-OK-ULTRA (658-5872)**



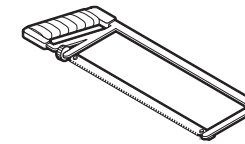
### Tools You Will Need / Outils dont vous aurez besoin / Herramientas necesarias



Adjustable Wrench  
Clé à molette  
Llave ajustable



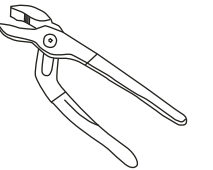
Pipe Tape  
Ruban pour tuyau  
Cinta selladora para rosca



Hacksaw  
Scie à métaux  
Sierra para metales



Phillips Screwdriver  
Tournevis cruciforme  
Destornillador cruciforme



Groove join pliers  
Pince multiprise  
Pinzas ajustables

### Limited Lifetime Warranty

Ultra Faucets warrants to the original purchaser that its products will be free from defects in workmanship and materials. All Ultra Faucets are provided with a life time limited warranty. This warranty does not cover any other labor or service charges associated with the removal, repair, or reinstallation of Ultra Faucets products. This express warranty does not apply to products that have been damaged as a result of misuse, abuse, negligence, accident, faulty installation or maintenance practices and/or used in any manner contrary to those recommended by the manufacturer.

**Need help?** Please call our toll-free customer service line at 1-888-658-5872 for additional assistance or service.

**Besoin d'aide?** Veuillez communiquer avec notre service à la clientèle au numéro gratuit 1-888-658-5872 pour tous renseignements ou services complémentaires.

**¿Requiere asistencia?** Llame a nuestro Servicio al Cliente, sin costo, al 1-888-658-5872 para asistencia adicional o servicio.

### SAFETY TIPS

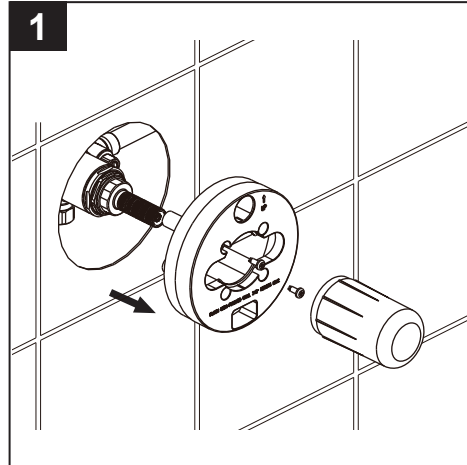
- If you use soldering for the installation of the faucet, the seats, cartridges and washers will have to be removed before using flame. Otherwise, warranty will be void on those parts.
- Cover your drain to avoid losing parts.
- 0°C~55°C.

### CONSIGNES DE SÉCURITÉ

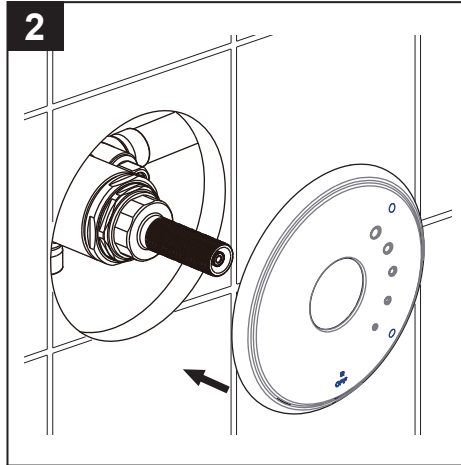
- Si vous posez le robinet par brasage, il est essentiel de retirer les sièges, les cartouches et les rondelles avant d'appliquer la flamme, faute de quoi la garantie sur ces pièces sera annulée.
- Couvrez le drain pour ne pas perdre des pièces.
- 0°C~55°C.

### CONSEJOS DE SEGURIDAD

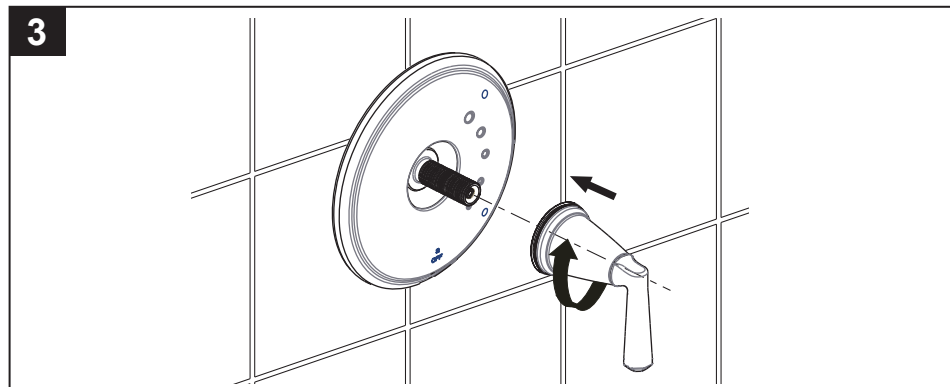
- En el caso de utilizar soldadura para instalar el grifo, remueva los asientos, cartuchos y arandelas antes de usar la llama. De lo contrario, se anulará la garantía para esos componentes.
- Tape la boca del desagüe para prevenir la pérdida de piezas pequeñas.
- 0°C~55°C.



Remove the mud guard.

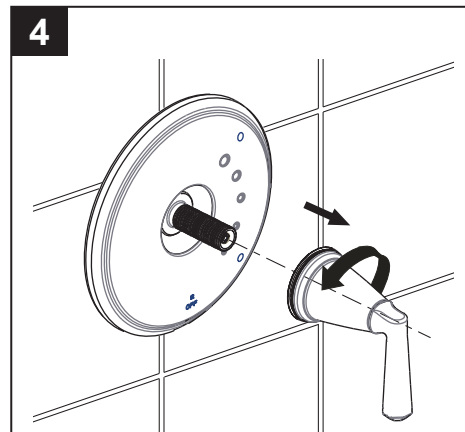


Carefully slide the escutcheon on valve.

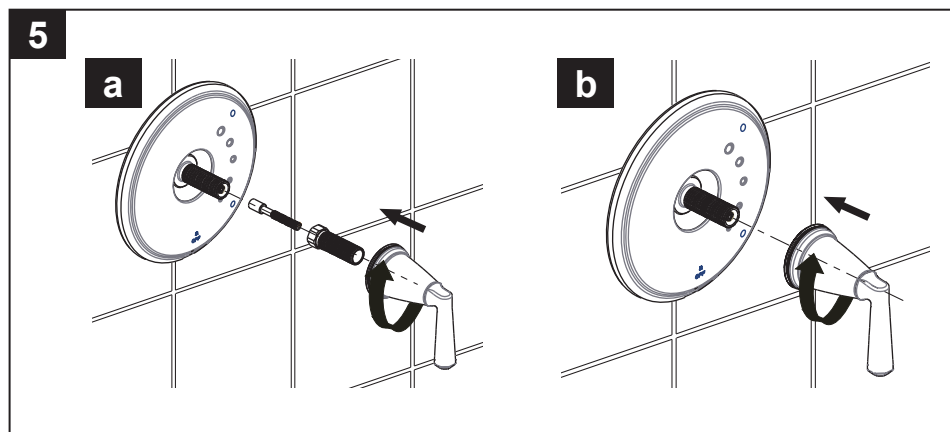


Place the handle assembly on the valve and rotate clockwise securing the handle assembly and escutcheon to the wall and engaging the stem.

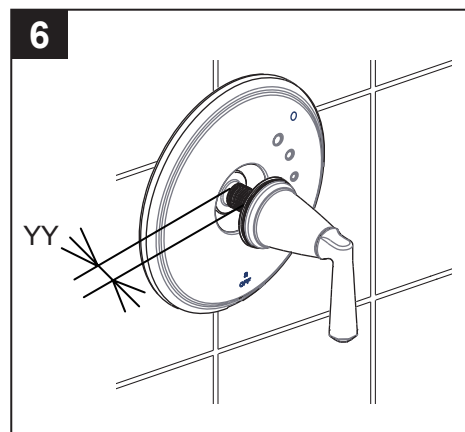
- If all functions smoothly go to step #10.
- If the handle assembly will not engage the stem, go to step #4.
- If the handle assembly will not bottom out on the escutcheon go to step #6.



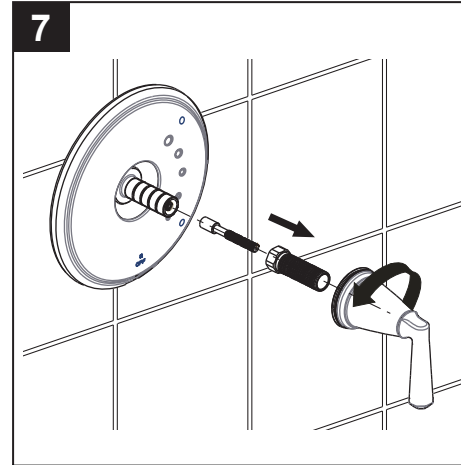
If the handle assembly will not engage the stem, remove the handle assembly.



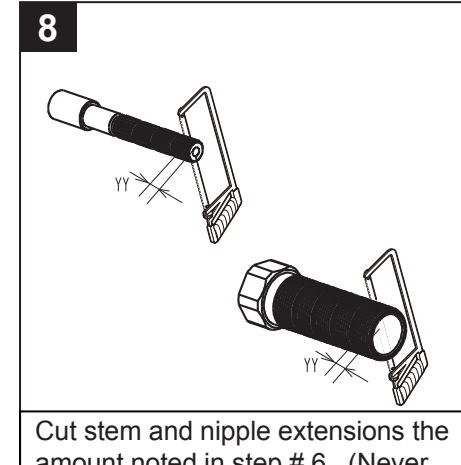
- a.) Add the threaded nipple and pressure balance stem extensions.
- b.) Attach handle assembly.
- c) If all functions smoothly go to step #10. If the handle assembly will not bottom out on the escutcheon go to step #6.



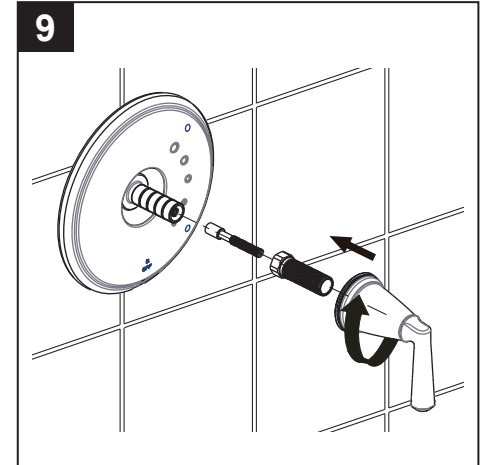
Measure and note the distance 'YY' (the distance between the bottom of the handle assembly and the escutcheon).



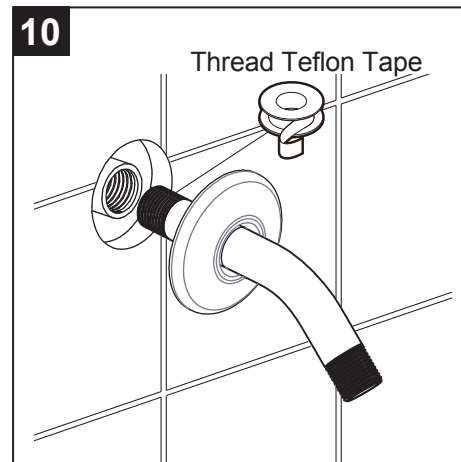
Remove the handle assembly and nipple and stem extensions.



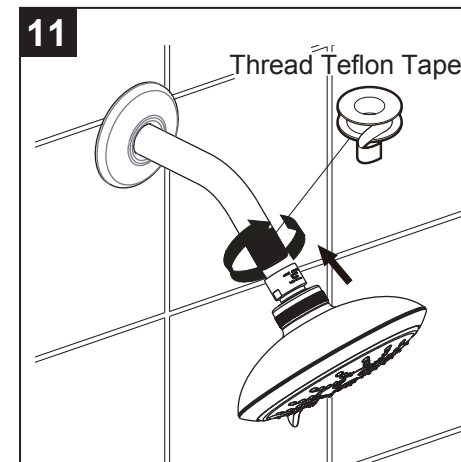
Cut stem and nipple extensions the amount noted in step # 6. (Never cut the stem and nipple while still on the valve. This may damage the valve.)



Re-install the nipple and stem extension and handle assembly.



Apply teflon tape to the shower arm and thread clockwise into the nipple and slide on the flange.



Apply teflon tape to the end of the shower arm and thread the showerhead on to the shower arm.



Installation complete